

LED PIER DOCK LUMINAIRE



Model 30-WP-LED *Weatherproof Vandal Resistant*

A weatherproof, vandal-resistant, energy-efficient compact Pier Dock luminaire, ETL rated for Wet Location applications, includes high quality lighting grade LEDs. Can operate efficiently at temperatures down to -40°C (-40°F) and up to 50°C (122°F). **Luminaire is quality engineered with materials offering high resistance to corrosion, rust, moisture, dust and impact.** Available with a black, white or bronze durable **polycarbonate** housing and features an impact-resistant **polycarbonate** clear prismatic lens trimmed in black, white or bronze high-temperature, weather-resistant polyurethane paint. Luminaire utilizes high quality LEDs and Driver to further enhance reliability and durability while reducing power consumption.

LEDs contain no mercury and emit no ultraviolet light.

LEDs will not break like all other lamps if fixture is dropped.

Specifications

Lens: Injection molded UV-stabilized clear prismatic **polycarbonate** in an average .125" thickness. Smooth exterior surface for ease of cleaning; interior prismatic surface offers optimal lumen output; rounded corners for added strength and user safety. Trimmed in black, white, or bronze high-temperature polyurethane paint. Lifetime warranty against breakage.

Housing: Injection molded UV-stabilized reinforced **polycarbonate** in black, white or bronze. Includes five knockouts suitable for .50" conduit. Lifetime warranty against breakage.

Base Plate: **Rustproof** .063" 5052 H-32 tempered marine-grade aluminum.

Gasket: Closed-cell neoprene rubber in .125" thickness creates a tight seal against contaminants.

LEDs: **High Quality Lighting Grade LEDs**
5,000-7,000K Color Temperature
10 LEDs with 120 V = Lumens: 1000 Watts: 13 Max.
10 LEDs with 277 V = Lumens: 1000 Watts: 14 Max.
L70 Lifetime up to 100,000 hours, depending on application.

Driver: **High Quality Driver**
AC Input: 120V, 60Hz



Complies with FCC rules and regulations, as per Title 47 CFR Part 15 Non-Consumer (Class A) for EMI/RFI (conducted and radiated) at full load.

Driver is manufacturer warranted for five (5) years.



Model 30-WP-LED



Ideal in coastal and lakeside environments like docks, piers, boathouses, commercial waterway businesses and more.

Hardware: Two (2) stainless steel 8-32x3/8 phillips truss head screws or tamperproof screws (must specify) attach lens to base plate. Mounting hardware included.



ETL-US and ETL-C Listed – Wet Location
LM-79 and LM-80 Test Data Available

All polycarbonate components meet Underwriters Laboratories 746C tests for polymeric material and carry a flammability rating of 94HB or better on lenses and the superior 94-5V rating on housings.

Luminaire Type _____
Catalog Number _____
Product Code _____
Job Name _____
Approval _____

WF Harris Lighting

Innovative Lighting Designs Since 1970

P.O. Box 5023, Monroe, NC 28111-5023, USA
(704) 283-7477 (OPERATOR ASSIST) • (704) 283-6880 (FAX)

(800) 842-9345 (TOLL FREE)

e-mail: customerservice@wfarris.com

www.wfarrislighting.com

Form 2590

5/14

"A Live Operator Company Standing Ready to Serve Your Lighting Needs"

LED DOCK LUMINAIRE

Ordering Information

Fill In Blocks for Complete Catalog Number

30-WP-LED	-	<input type="text"/>	-	120 - 120V	-	<input type="text"/>
Model		Lens Trim and Housing Color		Volts		Option <i>(no additional charge)</i>
		HK - Black HW - White HB - Bronze				TPS2 - Tamperproof Screws

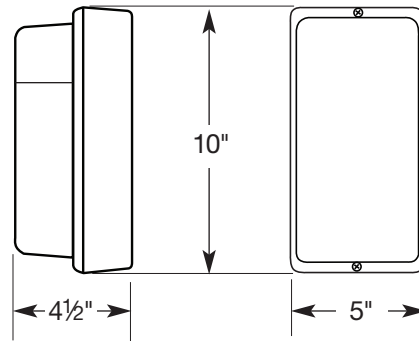
Accessories

(Order Separately)

TPT-Tamperproof Screwdriver



Dimensions



LEDs and the W. F. Harris Lighting Advantage

The lighting grade LEDs used by W. F. Harris Lighting provide the long sought-after stability demanded for commercial illumination in brightness, efficacy, life time, and color temperatures. Can be used in commercial/industrial illumination applications, hospitals, schools, universities, government buildings, military installations and freezer applications.

W. F. Harris Lighting LED-based luminaires reduce ownership costs through four factors –

- (1) Maintenance avoidance – LEDs last much longer than traditional lamps plus the fixture is non-rusting and vandal resistant.
- (2) Reduced energy cost of the LEDs.
- (3) Reduced cost in operation of freezer compressors due to lower wattage and less heat.
- (4) LEDs do not break if dropped, unlike ordinary lamps.

These lighting grade LEDs offer efficient illumination that - depending on the application - can last up to 100,000 hours of output before their light output falls below 70% of original illumination and even longer in refrigerated environments.

Application-specific units available to meet a customer's unique lighting requirements.

After the customer provides W. F. Harris Lighting with specific requirements for a lighting application, our in-house LED Application Engineering Department will adjust the fixture to satisfy those requirements. Once completed, a Product Code will be assigned and used to order application-specific units.

TAA COMPLIANT
TRADE AGREEMENT ACT COMPLIANT



W.F. Harris Lighting

Innovative Lighting Designs Since 1970

P.O. Box 5023, Monroe, NC 28111-5023, USA

(704) 283-7477 (OPERATOR ASSIST) • (704) 283-6880 (FAX)

(800) 842-9345 (TOLL FREE)

e-mail: customerservice@wfarris.com

www.wfharrislighting.com

**LENS AND HOUSING CARRY A
LIFETIME GUARANTEE AGAINST BREAKAGE.**

Specifications Subject to Change Without Notice.

Printed in USA

Form 2590

5/14

"W. F. Harris Lighting Will Not Sacrifice Quality for the Sake of Price."