

LED BATTERY BACKUP WORKLIGHT

Model 30-WL-LED-1K-BB

RUSTPROOF • VANDAL AND IMPACT RESISTANT
SAME LUMEN OUTPUT IN AC OR BATTERY BACKUP MODE



Specifically designed to provide efficient, effective illumination in fleet maintenance and repair; electrical and other equipment repair; shipbuilding, boat construction and maintenance; and other task lighting applications. **Whether operating in standard AC mode or battery backup operation, the Model 30-WL-LED-1K-BB provides the same lumen output.** One switch for AC power and DC power allows the worklight to be transported to another location without activating and draining the emergency battery pack. Provides instant on. **Quality engineered with materials offering high resistance to rust, corrosion, moisture, dust and impact.** Clear prismatic lens and housing of impact-resistant **polycarbonate** are non-conductive and self-extinguishable, assuring more safety to the end user. Worklight utilizes high quality LEDs and Driver to further enhance reliability and durability while reducing power consumption.

LEDs contain no mercury and emit no ultraviolet light.

LEDs will not break, unlike conventional lamps, if worklight is dropped.

Specifications

Lens: Injection molded UV-stabilized clear prismatic **polycarbonate** in an average .125" thickness. Smooth exterior surface for ease of cleaning, interior prismatic surface offers optimal lumen output and rounded corners for added strength and user safety.

Base Plate: **Rustproof** .063" 5052 H-32 tempered marine-grade aluminum.

Housing: Injection molded of UV-stabilized reinforced **polycarbonate** in safety yellow, black, white or bronze color. Other colors may be available — consult factory.

Gasket: Closed-cell neoprene rubber for maximum barrier to dirt, dust and moisture.

LEDs: **High Quality Lighting Grade White LEDs.**
3,700-5,000K Color Temperature.
Lumens: 1200 Watts: 14 Maximum
L₇₀ lifetime up to 100,000 hours.
DC Mode: Operates at lower power level.
Warranted for five (5) years.

Driver: **High Quality Driver**
AC Input: 120V, 60Hz



Complies with FCC rules and regulations, as per Title 47 CFR Part 15 Non-Consumer (Class A) for EMI/RFI (conducted and radiated) at full load.

Warranted for five (5) years by Driver manufacturer.

Cord: Six-foot long 18-3 AWG SJTOW oil/water resistant black cord with liquid-tight cord grip exceeds NEMA 6 specifications for moisture-secure operation.



Worklight Model 30-WL-HSY-LED-BB with Battery Backup shown with molded-in Safety Yellow housing color.

Backup Battery Pack:

Nickel Cadmium (Ni-Cd) battery is maintenance free with a life expectancy of 5-7 years and provides over 90 minutes of battery backup operating time. During a power interruption when the unit is on, it automatically switches to battery operation. When AC power is restored, the battery is recharged within 48 hours, after which it will operate over 2 hours in DC mode with new batteries. **Warranted for five years by Battery Pack manufacturer and is field replaceable.**
This product is not intended to take the place of a permanently-installed emergency fixture.

Hardware:

Two stainless steel 8-32x3/8 phillips truss head screws attach lens to base plate. Integral to the worklight and used with a safety chain (chain not included) is a three-quarter inch center diameter eyebolt. On/off toggle switch is hard plastic with rubber boot. Maximum-secure magnet is rated for 90 lbs. of pull strength.



ETL-US and ETL-C Listed (UL 153)

All polycarbonate components meet Underwriters Laboratories 746C tests for polymeric material and carry a flammability rating of 94HB or better on lenses and the superior 94-5V rating on housings.

Luminaire Type _____
Catalog Number _____
Product Code _____
Job Name _____
Approval _____

WF Harris Lighting, Inc.

Innovative Lighting Designs Since 1970

P.O. Box 5023, Monroe, NC 28111-5023, USA
704.283.7477 (HEADQUARTERS) • 800.842.9345 (TOLL FREE)
e-mail: customerservice@wfarris.com
www.wfharrislighting.com

Form 2568

7/16

"A Live Operator Company Standing Ready to Serve Your Lighting Needs"

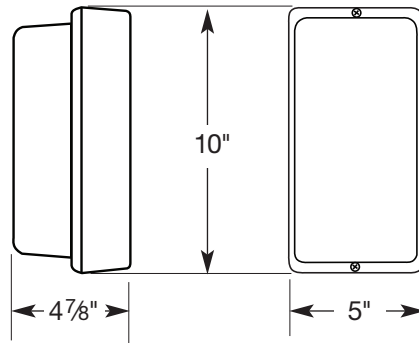
LED BATTERY BACKUP WORKLIGHT

Ordering Information

Fill In Block For Complete Catalog Number

<input type="text" value="30-WL"/>	—	<input type="text" value="LED-1K"/>	—	<input type="text" value="BB"/>	—	<input type="text"/>	—	<input type="text"/>
Model		Light Source		Battery Backup		Housing Color		Hanging Device
						HSY - Safety Yellow HK - Black HW - White HB - Bronze		HOOK - open hook bolted to housing EYEBOLT - 3/4" center diameter * Please note, if box is blank, order will be delivered with standard Eyebolt.

Dimensions



LEDs and the W. F. Harris Lighting Advantage

The lighting grade LEDs used by W. F. Harris Lighting provide the long sought-after stability demanded for commercial illumination in brightness, efficacy, life time, and color temperatures. Can be used in commercial/industrial illumination applications, hospitals, schools, universities, government buildings, military installations and freezer applications.

W. F. Harris Lighting LED-based luminaires reduce ownership costs through three factors —

- (1) Maintenance avoidance – LEDs last much longer than traditional lamps plus the fixture is non-rusting and vandal resistant.
- (2) Reduced energy cost of the LEDs.
- (3) LEDs do not break if dropped, unlike conventional lamps.

These lighting grade LEDs offer efficient illumination that - depending on the application - can last up to 100,000 hours before their light output falls below 70% of original illumination and even longer in refrigerated environments.

Application-specific units available to meet a customer's unique lighting requirements.

After the customer provides W. F. Harris Lighting with specific requirements for a lighting application, our in-house LED Application Engineering Department will adjust the fixture to satisfy those requirements. Once completed, a Product Code will be assigned and used to order application-specific units.

TAA COMPLIANT
TRADE AGREEMENT ACT COMPLIANT



LENS AND HOUSING CARRY A LIFETIME GUARANTEE AGAINST BREAKAGE.

Specifications Subject to Change Without Notice.

W.F. Harris Lighting, Inc.

Innovative Lighting Designs Since 1970

P.O. Box 5023, Monroe, NC 28111-5023, USA
704.283.7477 (HEADQUARTERS) • 800.842.9345 (TOLL FREE)

e-mail: customerservice@wfarris.com

www.wfharrislighting.com

Printed in USA

Form 2568

7/16

"W. F. Harris Lighting Will Not Sacrifice Quality for the Sake of Price."