

SLIM PROFILE LED LUMINAIRE

EMERGENCY and NON-EMERGENCY UNITS Model 30-LED SERIES

Rust Resistant • Vandal Resistant • Nonconductive



Slim profile, highly versatile indoor/outdoor wall/ceiling energy-efficient compact luminaire — also suitable for display of letters and/or numbers — delivers the same lumen level in emergency operation as in AC mode. Non-emergency and emergency versions (EM units) of the product are available and allow continuity of aesthetics in multiple luminaire installations, eliminating the need for separate emergency on-only units. Emergency mode in the EM luminaire automatically engages on an interruption of power and recharges upon power restoration. Not only do both units meet the challenging issues of indoor/outdoor (Wet Location) applications, but also the EM unit in emergency mode exceeds UL924 illumination requirements. Luminaire provides illumination greater than the industry standard 90-minute duration (in excess of 2 hours with new batteries). Vandal resistant. Quality engineered with materials offering high resistance to rust, corrosion, moisture, dust and impact. Lens and housing constructed of high impact-resistant polycarbonate is self-extinguishing to assure more safety to the end user. For coastal environments, wharfs and piers, military and civilian housing units, office buildings, schools, hotels/motels, apartments/condominiums, government installations, and other commercial/industrial establishments. Luminaire utilizes high quality LEDs and Driver to further enhance reliability and durability while reducing power consumption.

High Quality LEDs contain no mercury, emit no ultraviolet light, and will not break if luminaire is dropped, unlike conventional lamps.

Specifications

Lens: Injection molded UV-stabilized clear prismatic or opal white polycarbonate in an average .125" thickness with a smooth exterior surface for ease of cleaning, an interior surface offering optimal lumen output and rounded corners offering added strength and user safety. Lens design options include display letters and/or numbers as specified by customer; or the lens trimmed in black, white or bronze high-temperature, weather-resistant polyurethane paint to match Housing.

Base Plate: Rust resistant .063" 5052 H-32 tempered marine-grade aluminum.

Housing: Injection molded UV-stabilized reinforced polycarbonate in black, white or bronze. Includes five knockouts suitable for .50" conduit.

Gasket: Closed-cell neoprene rubber in .125" thickness creates a tight seal against contaminants.

LEDs: **High Quality Lighting Grade LEDs**
(Lumen output reduced through Opal White lens)
5,000K Color Temperature
1K (AC) = Net Lumens = 1200 (Efficacy = 120 Lm/W)
1K (EM) = Net Lumens = 1200
K6 (AC) = Net Lumens = 600
K3 (AC) = Net Lumens = 300
Model 30-WP-HZ-LED = Net Lumens = 1200
Model 30-WP-LED = Net Lumens = 1200
Warranted for five (5) years.

LED Life: **Lumen Maintenance** (TM-21-11 70% Projection)
1K (AC) = 127,000 Hrs (25°C/77°F) = 15 years of 24/7 LED life
1K (AC) = 95,000 Hrs (50°C/122°F) = 11 years of 24/7 LED life
K6 (AC) = 137,000 Hrs (25°C/77°F) = 16 years of 24/7 LED life
K6 (AC) = 117,000 Hrs (50°C/122°F) = 13 years of 24/7 LED life
K3 (AC) = 137,000 Hrs (25°C/77°F) = 16 years of 24/7 LED life
K3 (AC) = 126,000 Hrs (50°C/122°F) = 14 years of 24/7 LED life
30-WP-HZ = 168,000 Hrs (25°C/77°F) = 19 years of 24/7 LED life
30-WP-HZ = 86,000 Hrs (50°C/122°F) = 10 years of 24/7 LED life
Calculations Based on US Department of Energy Worksheet.
DOE TM-21-11, 70%



30-LED-SLDC-HB with Diffused Clear Shallow Lens and bronze housing.

30-LED-EM with Shallow Lens. Emergency option.

Driver: **High Quality Driver**
AC Input: 120V-277V, 50/60Hz
Power = 10 W (120-277V)
Power = 14.6 W (120-277V)
Power = 5.2 W (120-277V)
Power = 3.5 W (120 only)
Power = 9.6 W (120-277V)
Power = 9.6 W (120-277V)



Complies with FCC rules and regulations, as per Title 47 CFR Part 15 Non-Consumer (Class A) for EMI/RFI (conducted and radiated) at full load.
Warranted for five (5) years.

Emergency Battery Pack: Lithium Iron Phosphate battery maintenance free with a life expectancy of 7-10 years and over 90 minutes of emergency lighting. Exterior indicator light reveals that battery is charging during normal operation. During a power interruption, the unit automatically switches to emergency mode. When AC power is restored, the battery is recharged (within 48 hours maximum for a fully discharged battery). In Emergency mode, unit can operate efficiently at temperatures down to 10°C (50°F) and up to 40°C (104°F).
Warranted for five (5) years and is field replaceable.

Hardware: Two (2) stainless steel 8-32x3/8 phillips truss head screws or tamperproof screws (must specify) attach lens to base plate. Mounting hardware included.

"W.F. Harris Lighting - High Quality at Competitive Pricing"

SLIM PROFILE LED LUMINAIRE

EMERGENCY and NON-EMERGENCY UNITS

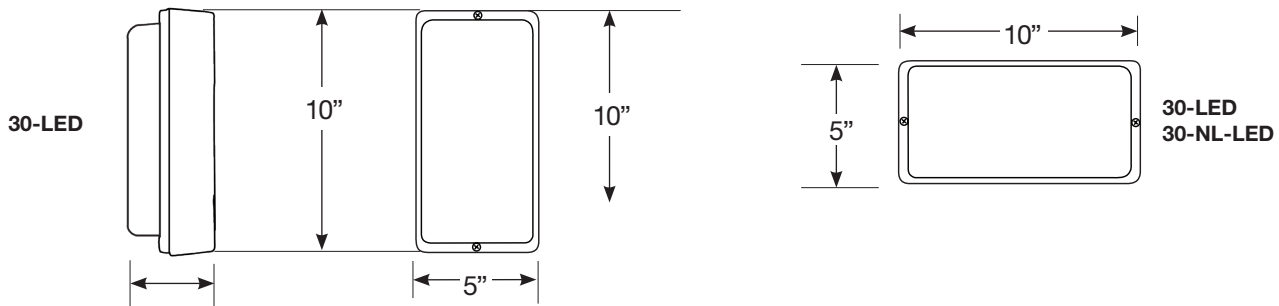
Ordering Information

Fill In Blocks for Complete Catalog Number

Model	Output	Lens	Housing Color	Volts	Options
30-LED 30-NL-LED*	1K - 1200 Net Lumens K6 - 600 Net Lumens K3 - 300 Net Lumens	SLDC - Diffused Clear SLOW - Opal White	HB - Bronze Housing HK - Black Housing HW - White Housing	120-277 120-277 120	EM - Emergency Operation TPS - Tamperproof Screws

* Specify up to four (4) numbers/letters for NL Model.

Dimensions



Weight

30-LED/NL - 2 lbs.

30-LED-EM - 4 lbs.

LEDs and the W. F. Harris Lighting Advantage

The lighting grade LEDs used by W. F. Harris Lighting provide the long sought-after stability demanded for commercial illumination in brightness, efficacy, life time, and color temperatures. Can be used in commercial/industrial illumination applications, hospitals, schools, universities, government buildings, military installations as well as other indoor/outdoor applications.

W. F. Harris Lighting LED-based luminaires reduce ownership costs through three factors:

- (1) Maintenance avoidance – LEDs last much longer than traditional lamps plus the fixture is rust resistant and vandal resistant.
- (2) Reduced energy cost of the LEDs.
- (3) LEDs do not break if dropped, unlike conventional lamps.

LENS AND HOUSING CARRY A LIMITED LIFETIME WARRANTY AGAINST BREAKAGE.

Specifications Subject to Change Without Notice.

**SBA QUALIFIED
SMALL BUSINESS MANUFACTURER**

TAA COMPLIANT
TRADE AGREEMENT ACT COMPLIANT

W. F. Harris Lighting, Inc.™

P.O. Box 5023, Monroe, NC 28111-5023, USA
704.283.7477 (HEADQUARTERS) • 800.842.9345 (TOLL FREE)

E-mail: customerservice@wfharris.com

www.wfharrislighting.com



© 2021 W. F. Harris Lighting, Inc.

Printed in USA Form 2500-8BA

"Innovative Lighting Designs Since 1970"