

FLUORESCENT

80-WP PLT Series

Rustproof Vandal-Resistant Wall Luminaire
42 Watts Maximum - Electronic
Lamp and Ballast System

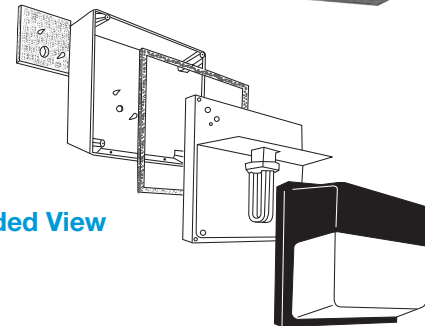


The lens, lamp orientation, and internal reflector in this wall-pack luminaire are designed to produce optimal light directly in front of and along building walls. Engineered with materials offering **high resistance to impact, rust, and corrosion.**

The **polycarbonate** housing is lightweight for easy installation and is totally non-conductive for safety during installation and relamping. Smooth exterior lens allows ease of cleaning, clear prismatic interior for optimal lumen output, rounded corners for increased impact strength and safety. Ideally suited as security or aesthetic lighting for the interior/exterior walls of commercial and industrial buildings, schools, hospitals, public housing, and government installations.

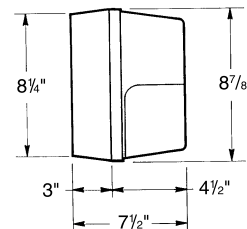
Specifications

Lens:	One piece injection molded UV-stabilized polycarbonate . Average thickness is $\frac{1}{8}$ ". Smooth exterior surface allows ease of cleaning, clear prismatic interior provides optimal light output, and rounded corners increase impact strength and user safety. Masked in bronze or white, high-temperature, weather-resistant polyurethane paint.
Base Plate:	Rustproof .063" 5052 H-32 tempered marine-grade aluminum.
Housing:	Injection molded UV-stabilized reinforced bronze or white polycarbonate . Rear knockout for supply wire. Available with up to four threaded connections and plugs suitable for $\frac{1}{2}$ " conduit (specify connection positions).
Gasket:	Lens gasket and mounting gasket are closed-cell neoprene rubber.
Socket:	Four pin. Rated at 75W, 600V for GX24Q base.
Reflector:	Highly reflective anodized aluminum finish.
Lamp: (Optional)	PLT four pin.
Ballast:	Electronic P rated, HPF. 120V through 277V. Starting temperature is 0°F. 50/60 Hz.
Hardware:	Four stainless-steel 8-32 phillips truss head screws or tamperproof screws attach lens to base plate.



Exploded View

Dimensions



ETL-USA and ETL-C Listed For Wet Locations.

All polycarbonate components meet Underwriters Laboratories 746C tests for polymeric material and carry a flammability rating of 94HB or better on lenses and the superior 94-5V rating on housings.

Luminaire Type _____
Catalog Number _____
Job Name _____
Approval _____

WF Harris Lighting

Innovative Lighting Designs Since 1970

P.O. Box 5023, Monroe, NC 28111-5023, USA
(704) 283-7477 (OPERATOR ASSIST) • (704) 283-6880 (FAX)
(800) 842-9345 (TOLL FREE)

e-mail: customerservice@wfharris.com
www.wfharrislighting.com

Form 1556

12/15

"A Live Operator Company Standing Ready to Serve Your Lighting Needs"

FLUORESCENT

Ordering Information (Fill In Blanks For Complete Catalog Number)

80-WP Model	Housing	Watts-Lamp	HPF Power Factor	Volts	Options	Conduit Connections
Model	Housing	Watts/ Lamp	Power Factor	Volts	Options	Conduit Connections (80H Required)
80-WP	HB-Bronze HW-White	18 PLT 26 PLT 32 PLT 42 PLT	HPF	120-277	LP-LAMP PC-Photo Control (Specify 120V or 277V) ¹ EM-(1 Lamp) One Lamp Operates Full Time and During Emergency (Listed for Wet Location) EMO-(1 Lamp) One Lamp Only Operates During Emergency (Listed for Wet Location) TPS-Tamperproof Screws FS-Fuse and Holder	CRS-Right Side CLS-Left Side CT-Top CB-Bottom C4-All (Positions Based on Facing Fixture)

¹ Housing Required.

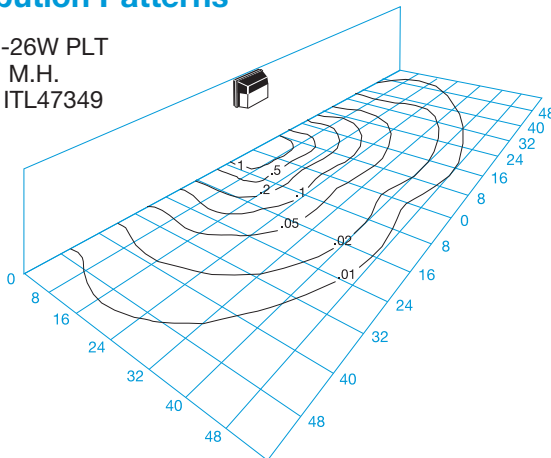
Accessories (Order Separately)

TPT-Tamperproof Screwdriver



Light Distribution Patterns

Model 80-WP-1-26W PLT
Wall Mounted 8' M.H.
Test Report No. ITL47349



Conversion Tables

Lamp	Lamp Conversion Factor	Mounting Height	Height Conversion Factor
18 PLT	.67	8'	1.00
26 PLT	1.00	10'	.64
32 PLT	1.33	12'	.44
42 PLT	1.76		

Using Conversion Table

TO ADJUST FOOTCANDLES (FC) SHOWN IN DIAGRAM AT LEFT, USE FOLLOWING FORMULA WITH LAMP CONVERSION FACTOR (LCF) AND HEIGHT CONVERSION FACTOR (HCF):

$$FC \times LCF = FC \text{ with alternate lamp}$$

$$FC \times HCF = FC \text{ at alternate height}$$

$$FC \times LCF \times HCF = FC \text{ with alternate lamp at alternate height}$$

Fluorescent Lamp Performance

	Input Watts	Lumen Output	Lamp Life (Hours)
18 PLT	20W	1,200	10,000
26 PLT	29W	1,800	10,000
32 PLT	36W	2,400	10,000
42 PLT	46W	3,200	10,000

Specifications Subject to Change Without Notice

Luminaire is Warranted to be Free of Defects in Materials and Workmanship for One Year From Invoice Date.

LENS, HOUSING, AND ALUMINUM BASE PLATE CARRY A LIFETIME GUARANTEE.



W.F. Harris Lighting

Innovative Lighting Designs Since 1970

P.O. Box 5023, Monroe, NC 28111-5023, USA

(704) 283-7477 (OPERATOR ASSIST) • (704) 283-6880 (FAX)

(800) 842-9345 (TOLL FREE)

e-mail: customerservice@wfarris.com

www.wfharrislighting.com

Printed in USA

Form 1556

12/15

"W. F. Harris Lighting Will Not Sacrifice Quality for the Sake of Price."