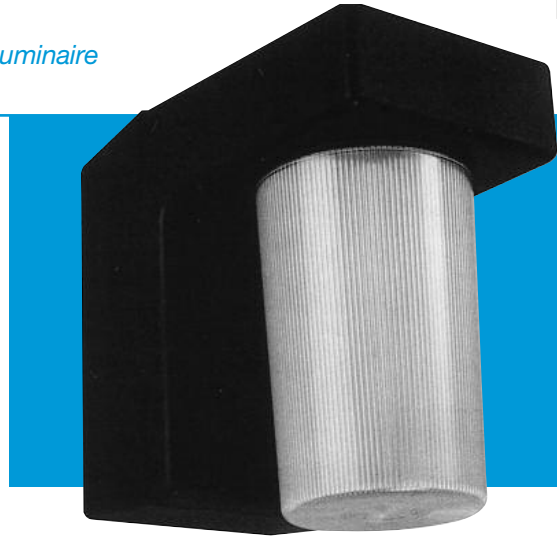


# HPS-METAL HALIDE



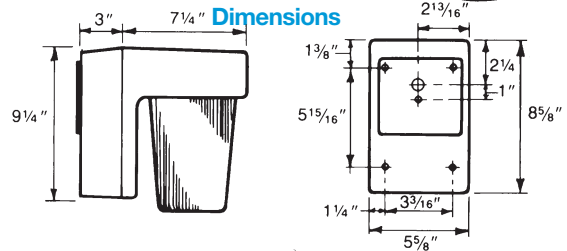
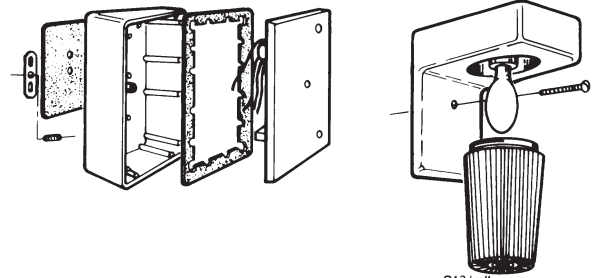
## 1000 Series *Rustproof Vandal-Resistant Wall Luminaire* 50 Watts Maximum

This wall bracket luminaire is as durable as it is attractive. Suitable for indoor/outdoor applications ranging from residential to commercial environments. Engineered with components and materials offering the **highest resistance to rust, corrosion, and impact**. The housing is totally nonconductive, insuring greater safety to the end user. Ideally suited as security lighting for schools, motels, hospitals, condominiums; and industrial, commercial, and government buildings.



### Specifications

- Lens:** Injection molded of UV-stabilized polycarbonate with threaded neck for screw-in attachment. Average thickness is 1/8". Smooth exterior surface for ease of cleaning.
- Base Plate:** Rustproof .080" 5052 H-32 tempered marine-grade aluminum.
- Housing:** Injection molded in black, white or bronze UV-stabilized, reinforced polycarbonate. Rear knockout for supply wire. Available with up to four threaded connections and plugs suitable for 1/2" conduit.
- Gasket:** Closed-cell neoprene rubber in 1/8" thickness creates a tight seal against moisture and contaminants.
- Socket:** Medium-base high heat phenolic with nickel-plated copper screw shell, 4kV pulse rated.
- Lamp:** Medium-base lamp; High Pressure Sodium lamp in 50 (ANSI S68) watts. Metal Halide in 50 (ANSI M110) watts.
- Ballast:** High Pressure Sodium in Normal Power Factor only. Metal Halide in High Power Factor only.
- Hardware:** Optional Lens-Lock screws are 1/4-20 socket set screws. Mounting hardware included.
- Mounting:** Wall mounting only.



Shown With Bronze Housing



Shown With White Housing

#### ETL-US and ETL-C Listed For Wet Locations.

All polycarbonate components meet Underwriters Laboratories 746C tests for polymeric material and carry a flammability rating of 94HB or better on lenses and the superior 94-5V rating on housings.

Luminaire Type \_\_\_\_\_  
 Catalog Number \_\_\_\_\_  
 Job Name \_\_\_\_\_  
 Approval \_\_\_\_\_

## WF Harris Lighting

Innovative Lighting Designs Since 1970

P.O. Box 5023, Monroe, NC 28111-5023, USA  
 (704) 283-7477 (OPERATOR ASSIST) • (704) 283-6880 (FAX)  
 (800) 842-9345 (TOLL FREE)

e-mail: customerservice@wfharris.com  
 www.wfharrislighting.com

Form 1548 10/15

*"A Live Operator Company Standing Ready to Serve Your Lighting Needs"*

# HPS-METAL HALIDE

Ordering Information (Fill In Blanks For Complete Catalog Number)

1000	CP					
Model	Lens Color	Housing Color	Watts-Lamp	Power Factor/Volts	Options	Conduit Connections
Model	Lens Color	Housing Color	Watts/Lamp	Power Factor / Volts	Options	Conduit Connections
1000	CP-Clear Prismatic	HK-Black HW-White HB-Bronze	50 MH <sup>2</sup> 50 HPS	NPF 120 <sup>3</sup> HPF 120/277/347 <sup>4</sup>	PC-Photo Control <sup>1</sup> LP-Lamp LL-Lens Lock FS-Fuse and Holder	CRS-Right Side CLS-Left Side CT-Top CB-Bottom C4-All (Positions Based on Facing Fixture)

<sup>1</sup> Specify voltage - 120V or 277V Only

<sup>2</sup> To deter premature lens yellowing, recommend UV shielded lamp

<sup>3</sup> Available for 50 HPS Only.

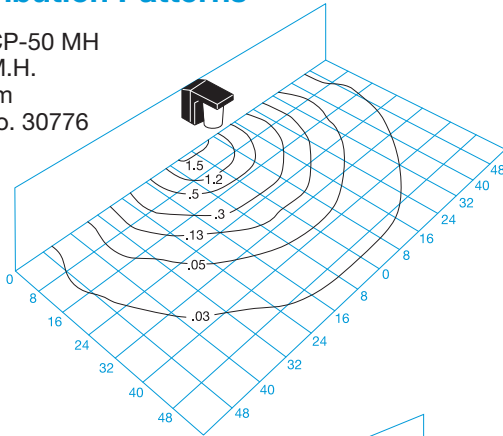
<sup>4</sup> Available for 50 MH Only

## Lamp Performance

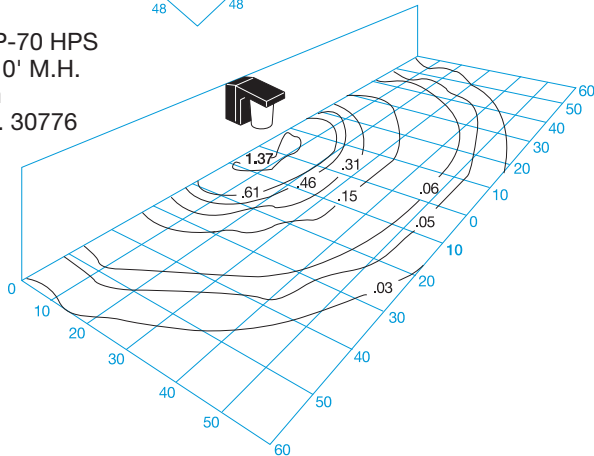
	50 Watt MH	50 Watt HPS
Input Watts	69W	66W
Lumen Output	4,000	4,000
Lamp Life (Hours)	10,000	24,000
Min. Starting Temperature	-20°F/-30°C	-40°F/-40°C

## Light Distribution Patterns

**Model 1000-CP-50 MH**  
Based On 8' M.H.  
Produced From  
Test Report No. 30776



**Model 1000-CP-70 HPS**  
Wall Mounted 10' M.H.  
Produced From  
Test Report No. 30776



## Conversion Tables

Lamp	Lamp Conversion Factor
50 MH	.64
50 HPS	.63

Mounting Height	Height Conversion Factor
6'	1.77
7'	1.38
8'	1.00
9'	.79
10'	.64
11'	.53
12'	.45
13'	.39
14'	.32

### Using Conversion Table

TO ADJUST FOOTCANDLES (FC), SHOWN IN DIAGRAMS AT LEFT, USE FOLLOWING FORMULA WITH LAMP CONVERSION FACTOR (LCF) AND HEIGHT CONVERSION FACTOR (HCF):

$$FC \times LCF = FC \text{ with alternate lamp}$$

$$FC \times HCF = FC \text{ at alternate height}$$

$$FC \times LCF \times HCF = FC \text{ with alternate lamp at alternate height}$$

Specifications Subject to Change Without Notice

Luminaire is Warranted to be Free of Defects in Materials and Workmanship for One Year From Invoice Date.

**LENS, HOUSING, AND ALUMINUM BASE PLATE CARRY A LIFETIME GUARANTEE.**



Made in USA

**TAA COMPLIANT**  
TRADE AGREEMENT ACT COMPLIANT

# W.F. Harris Lighting

Innovative Lighting Designs Since 1970

P.O. Box 5023, Monroe, NC 28111-5023, USA

(704) 283-7477 (OPERATOR ASSIST) • (704) 283-6880 (FAX)

(800) 842-9345 (TOLL FREE)

e-mail: customerservice@wfarris.com

www.wfharrislighting.com

Printed in USA

Form 1548

10/15

*"W. F. Harris Lighting Will Not Sacrifice Quality for the Sake of Price."*