

HIGH PRESSURE SODIUM METAL HALIDE



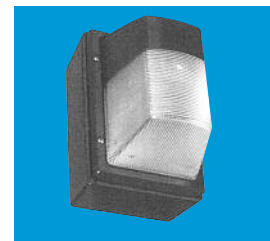
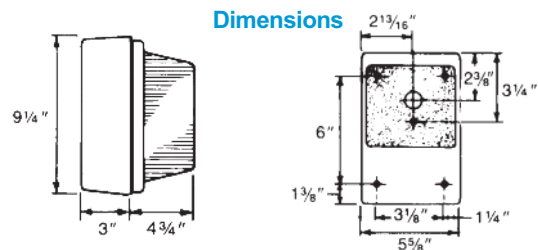
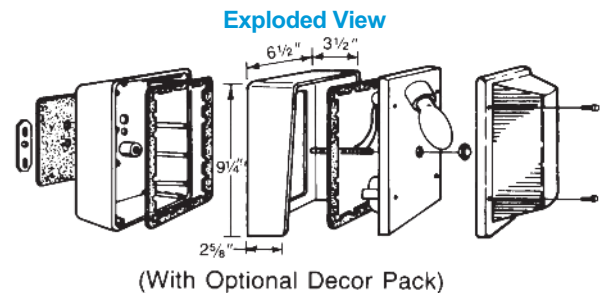
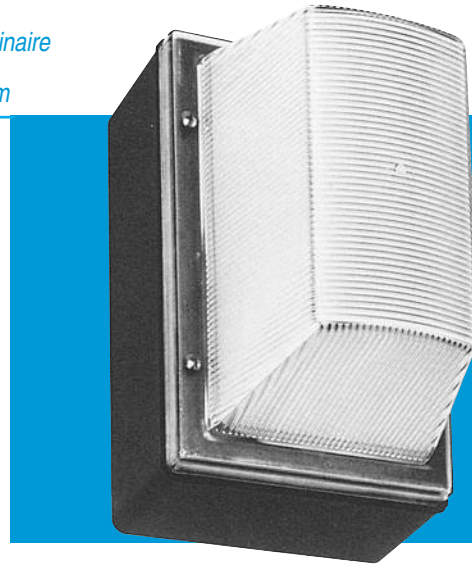
300 Series *Rustproof Vandal-Resistant Wall/Ceiling Luminaire* 50 Watts Maximum of Metal Halide 70 Watts Maximum of High Pressure Sodium

Designed for indoor/outdoor use where efficiency and style must compete with abuse by environmental elements or vandalism.

Rustproof. Engineered with materials offering the **highest resistance to corrosion and impact.** The **polycarbonate** housing is **non-conductive**, insuring more safety to the end user. Ideally suited as security lighting for schools, motels, hospitals, condominiums; and for industrial, commercial, and government buildings. Must be non-insulated ceiling types only.

Specifications

Lens:	UV-stabilized injection molded polycarbonate . Average thickness is $\frac{1}{8}$ ". Smooth exterior surface for ease of cleaning. Selections include clear prismatic and single end trim finish in white or bronze.
Base Plate:	Rustproof .080" 5052 H-32 tempered marine-grade aluminum is standard.
Housing:	Injection molded in black, white, or bronze UV-stabilized, reinforced polycarbonate . Rear knockout for supply wire. Available with up to four threaded connections and plugs suitable for $\frac{1}{2}$ " conduit.
Gasket:	Closed-cell neoprene rubber in $\frac{1}{8}$ " thickness creates a tight seal against contaminants and moisture.
Socket:	Medium-base high heat phenolic with nickel-plated copper screw shell, 4KV pulse rated with leads insulated for 200°C; 660W, 600V.
Lamp: (optional)	Medium-base lamp; High Pressure Sodium in 50(ANSI S68), and 70(ANSI S62) watts. Metal Halide in 50 watts (ANSI M110). UV-shielded metal halide lamp standard when lamp ordered to retard lens yellowing.
Ballast:	High Pressure Sodium available in NPF 120 or HPF 120 or HPF 120/277 or HPF 120/277. Metal Halide available in HPF 120/208/240/277.
Hardware:	Four stainless-steel 8-32 phillips truss head screws or tamperproof screws attach lens to base plate. Mounting hardware included.
Mounting:	Ceiling. Wall vertically with lamp base up . HPS ceiling applications in Canada must be non-insulated ceiling types only.



Shown With 300-S Lens

ETL-US and ETL-C Listed For Wet Locations.

All polycarbonate components meet Underwriters Laboratories 746C tests for polymeric material and carry a flammability rating of 94HB or better on lenses and the superior 94-5V rating on housings.

Luminaire Type _____
 Catalog Number _____
 Job Name _____
 Approval _____

WF Harris Lighting, Inc.

Innovative Lighting Designs Since 1970

P.O. Box 5023, Monroe, NC 28111-5023, USA
 (704) 283-7477 (HEADQUARTERS) • (800) 842-9345 (TOLL FREE)
 e-mail: customerservice@wfarris.com
 www.wfharrislighting.com

HPS-METAL HALIDE

Ordering Information (Fill In Blanks For Complete Catalog Number)

Model Lens Color Housing Color Watts/Lamp and Power Factor/Volts Options Conduit Connection

Model **Lens Color** **Housing Color** **Watts/Lamp Power Factor Volts** **Options** **Conduit Connections**

300 CP-Clear Prismatic HK-Black
300-S² HW-White
HB-Bronze 50 MH-HPF 120/208/240/277
50 HPS-NPF 120 or HPF 120/277
70 HPS-HPF 120/277 LP-Lamp
PC-Photo Control¹
TPS-Tamperproof Screws
DP__ - Polycarbonate Decor Pack (specify color)
K-Black W-White B-Bronze CRS- Right Side
CLS- Left Side
CT- Top
CB- Bottom
C4- All Four
Sides

¹ Specify Voltage – 120V or 277V Only
² Specify Painted Lens Color: BK (Black), WH (White), BZ (Bronze)
³ Dry Location Only

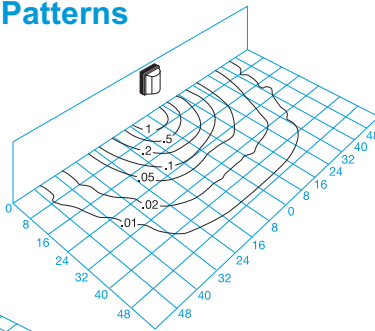
FS-Fuse and Holder
SR-Round Photo Control Shield
SRH-Half-Round Photo Control Shield
GCO-HD-Heavy Duty Grounded Convenience Outlet³

Accessories (Order Separately)
TPT-Tamperproof Screwdriver

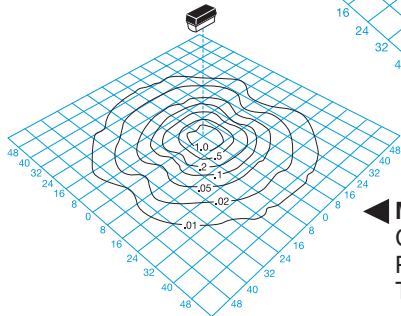


Light Distribution Patterns

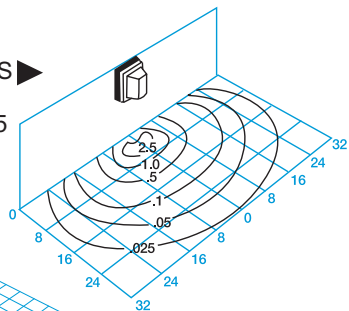
Model 300-CP-50 MH ▶
Wall Mounted 8' M.H.
Produced From
Test Report No. 25974



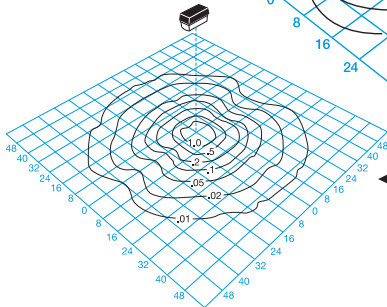
◀ **Model 300-CP-50 MH**
Ceiling Mounted 8' M.H.
Produced From
Test Report No. 25981



Model 300-CP-70 HPS ▶
Based On 8' M.H.
Test Report No. 25975



◀ **Model 300-CP-70 HPS**
Based On 8' M.H.
Test Report No. 25982



Conversion Tables

Lamp	Lamp Conversion Factor (LCF)	Mounting Height	Height Conversion Factor (HCF)
50 MH	2.52	8'	1.00
70 HPS	1.00	9'	.79
50 HPS	.63	10'	.64

Using Conversion Tables

TO ADJUST FOOTCANDLES (FC) SHOWN IN DIAGRAMS AT LEFT, USE ONE OF THE FOLLOWING FORMULAS WITH LAMP CONVERSION FACTOR (LCF) AND HEIGHT CONVERSION FACTOR (HCF):

$$\begin{aligned} \text{FC} \times \text{LCF} &= \text{FC with alternate lamp} \\ \text{FC} \times \text{HCF} &= \text{FC at alternate height} \\ \text{FC} \times \text{LCF} \times \text{HCF} &= \text{FC with alternate lamp at alternate height} \end{aligned}$$

Specifications Subject to Change Without Notice

Luminaire is Warranted to be Free of Defects in Materials and Workmanship for One Year From Invoice Date.

LENS, HOUSING, AND ALUMINUM BASE PLATE CARRY A LIFETIME GUARANTEE.

W.F. Harris Lighting, Inc.

Innovative Lighting Designs Since 1970

P.O. Box 5023, Monroe, NC 28111-5023, USA
(704) 283-7477 (HEADQUARTERS) • (800) 842-9345 (TOLL FREE)

e-mail: customerservice@wfharris.com

www.wfharrislighting.com



Printed in USA

Form 1547

5/17

"W. F. Harris Lighting Will Not Sacrifice Quality for the Sake of Price."