

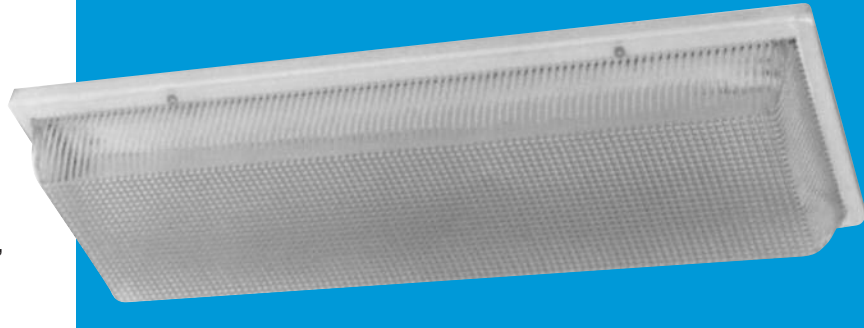
FLUORESCENT



220 Series

Rustproof Vandal-Resistant Ceiling Luminaire

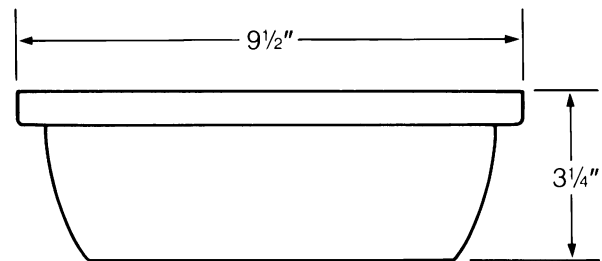
This fluorescent luminaire combines optional light distribution and energy efficiency with impact resistance in an aesthetically attractive design. Options such as an emergency battery system and a PL fluorescent night light eliminate the need for special-purpose lighting. For indoor and covered ceiling outdoor uses, this luminaire is perfect for schools, hospitals, prisons, and public, commercial, and government buildings.



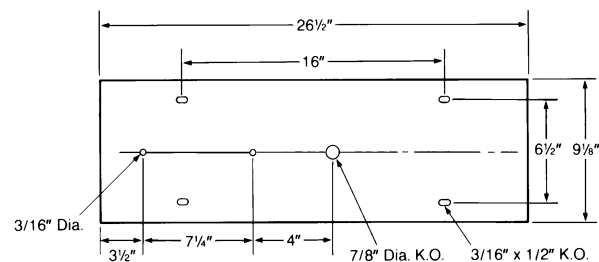
Specifications

Lens:	Pressure formed of UV-stabilized polycarbonate in an average $\frac{1}{8}$ " thickness. Clear lens is enhanced with prisms engineered for maximum light control.
Base Plate	Die formed of 20-gauge steel with high-reflectance white baked enamel finish applied after forming (Post Painted).
Gasket:	Concealed polyethylene gasket is bonded to lens to create a tight seal against contaminants and moisture.
Wireway:	Toolless tab attachment facilitates installation and removal of wireway channel.
Ballast:	2-17FLT8 and 2-40PLL lamp ballasts with 0°F start. All ballast types are high power factor, thermally-protected Class P for 120, 277, and 120-277 volts.
Hardware:	Four stainless-steel philips head or optional tamperproof screws are provided for lens attachment.

Dimensions



Base Plate Hole Pattern



ETL-US and ETL-C Listed For Damp Location Covered Ceiling

All polycarbonate components meet Underwriters Laboratories 746C tests for polymeric material and carry a flammability rating of 94HB or better on lenses and the superior 94-5V rating on housings.

Luminaire Type _____
Catalog Number _____
Job Name _____
Approval _____

WF Harris Lighting, Inc.

Innovative Lighting Designs Since 1970
P.O. Box 5023, Monroe, NC 28111-5023, USA
704.283.7477 (HEADQUARTERS) • 800.842.9345 (TOLL FREE)
e-mail: customerservice@wfarris.com
www.wfharrislighting.com

Form 1540

10/16

"A Life Operator Company Standing Ready to Serve Your Lighting Needs"

FLUORESCENT

Ordering Information (Fill In Blanks For Complete Catalog Number)

220	CP		HPF		
Model	Lens	Watts-Lamp	Power Factor	Volts	Options
Model	Lens Color	Watts/Lamp	Power Factor	Volts	Options
220	CP-Clear Prismatic	2-40 PLL ¹ 2-17 FLT8 ¹	HPF	120-277	FS-Fuse and Holder FNL-9W PL Night Light with Lamp (Specify 120 or 277) TPS-Stainless Steel Tamperproof Screws WLO-220-Wet Location Outside Gasket (Must Specify Application) (Not required for covered ceiling application) EMO2-Emergency Mode Only

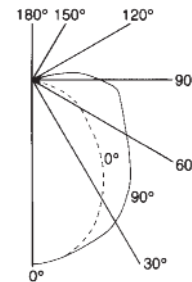
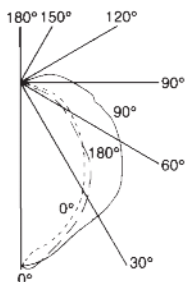
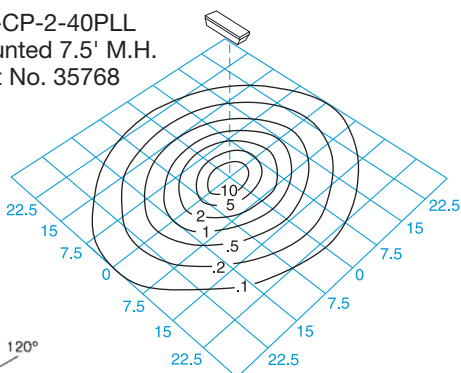
Accessories (Order Separately)
TPT-Tamperproof Screwdriver



¹ Available HPF 120-277 Only
² Available HPF 120 Only

Photometric Data

Model 220-CP-2-40PLL
Ceiling Mounted 7.5' M.H.
Test Report No. 35768



Using Conversion Table
TO ADJUST FC, USE FOLLOWING
FORMULA WITH HEIGHT CONVERSION
FACTOR (HCF):
 $FC \times HCF = FC \text{ at alternate height}$

Mounting Height	Height Conversion Factor
7.5'	1.00
8'	.88
9'	.69
10'	.56
12'	.40

COEFFICIENTS OF UTILIZATION – ZONAL CAVITY METHOD EFFECTIVE FLOOR CAVITY REFLECTANCE 0.20

Model 220-CP-2-40PLL

RC	80				70				50				30				10				0
RW	70	50	30	10	70	50	30	10	50	30	10	50	30	10	50	30	10	50	30	10	0
1	55	52	50	48	53	51	48	48	48	46	44	46	43	42	42	41	40	36			
2	50	46	42	39	48	44	41	38	42	39	36	39	37	35	37	35	33	32			
3	46	40	36	32	44	39	35	32	37	33	31	35	32	29	33	30	28	27			
4	42	36	31	28	41	35	31	27	33	29	26	31	28	25	30	27	25	23			
5	39	32	27	24	37	31	27	23	29	26	23	28	25	22	20	24	21	20			
6	36	29	24	21	34	26	23	20	26	23	20	25	22	19	24	21	19	17			
7	33	26	21	18	32	25	21	18	24	20	17	23	19	17	22	19	15	15			
8	30	23	19	16	29	23	18	15	22	18	15	21	17	15	20	17	14	13			
9	28	21	17	14	27	21	16	14	20	16	13	19	15	13	18	15	13	12			
10	26	19	15	12	25	19	15	12	18	14	12	17	14	12	16	13	11	10			

Model 220-CP-2-20FLT12

RC	80				70				50				30				10				0
RW	70	50	30	10	70	50	30	10	50	30	10	50	30	10	50	30	10	50	30	10	0
1	60	57	54	51	58	55	52	50	51	49	47	48	46	44	45	43	42	40			
2	55	49	45	42	52	48	44	41	45	42	39	42	39	37	39	37	36	34			
3	50	44	39	35	46	43	38	35	40	36	33	38	35	32	35	33	31	29			
4	46	39	34	30	44	38	33	30	36	32	26	34	30	27	32	29	26	25			
5	42	35	30	26	41	34	29	26	32	28	25	30	27	24	29	26	23	22			
6	39	32	27	23	38	31	26	23	29	25	22	26	24	21	26	23	21	19			
7	38	29	24	20	35	26	23	20	27	22	19	25	22	19	24	21	18	17			
8	34	26	21	18	33	26	21	18	24	20	17	23	19	17	22	19	16	15			
9	32	24	19	16	30	23	19	16	22	18	15	21	18	15	20	17	15	14			
10	29	21	17	14	29	21	16	13	20	16	13	19	15	13	18	15	12	10			

Specifications Subject to Change Without Notice

Luminaire is Warranted to be Free of Defects in Materials and Workmanship for One Year From Invoice Date.



Innovative Lighting Designs Since 1970

P.O. Box 5023, Monroe, NC 28111-5023, USA
704.283.7477 (HEADQUARTERS) • 800.842.9345 (TOLL FREE)
e-mail: customerservice@wfarris.com
www.wfharrislighting.com

Printed in USA

Form 1540

10/16

"W. F. Harris Lighting Will Not Sacrifice Quality for the Sake of Price."