

# HPS – MH – LPS

## 1200-WP Series

*Rustproof Vandal-Resistant Wall Luminaire  
High Pressure Sodium 150W Max.  
Metal Halide 70W Max.  
Low Pressure Sodium 18W Max.*

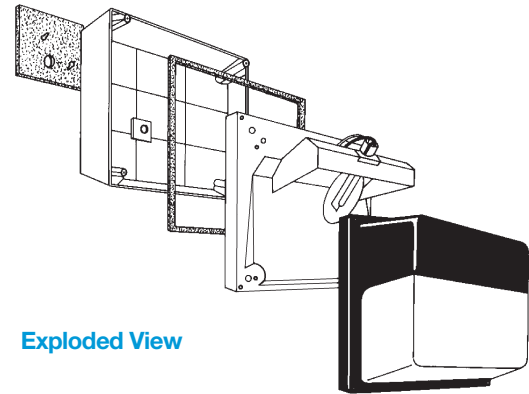


The lens, lamp orientation, and internal reflector in this wall-pack luminaire are designed to produce optimal light control directly in front of and along building walls. Engineered with materials offering the high resistance to rust, corrosion, and impact. The polycarbonate housing is lightweight for easy installation and is non-conductive for safety during installation and relamping. Smooth exterior lens allows ease of cleaning, clear prismatic interior assures optimum lumen output, rounded corners for increased impact strength. Ideally suited as security or aesthetic lighting for the exterior walls of commercial and industrial buildings, schools, hospitals, public housing, and government installations.



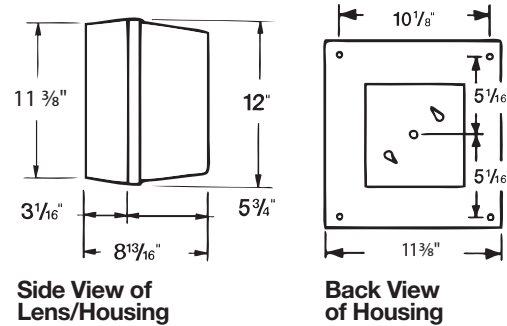
### Specifications

<b>Lens:</b>	One piece, injection molded of UV-stabilized <b>polycarbonate</b> . Average thickness is $\frac{1}{8}$ ". Clear lens has a prismatic interior to soften the lamp image and is masked in bronze or white, high-temperature, weather-resistant polyurethane paint.
<b>Base Plate:</b>	<b>Rustproof</b> .080" 5052 H-32 tempered marine-grade aluminum.
<b>Housing:</b>	Injection molded of UV-stabilized reinforced bronze or white <b>polycarbonate</b> . Rear knockout for supply wire. Available with up to four threaded connections and plugs suitable for $\frac{1}{2}$ " conduit (specify conduit connections).
<b>Gasket:</b>	Lens gasket and mounting gasket are closed-cell neoprene rubber.
<b>Socket:</b>	Medium-base phenolic. HPS, MH and LPS types are 4kV pulse rated. Nickel-plated copper screw shell.
<b>Reflector:</b>	Formed of anodized aluminum with semi-specular finish.
<b>Lamp:</b>	Medium-base lamp uses HPS, MH, or LPS.
<b>(Optional)</b>	
<b>Ballast:</b>	<u>High Pressure Sodium (HPS) Normal Power Factor (NPF) and High Power Factor (HPF) for 120V.</u> <u>Metal Halide HPF for 120/208/240/277V.</u> <u>Low Pressure Sodium for HPF 120/277V.</u>
<b>Hardware:</b>	Four stainless-steel 8-32 phillips truss head screws or tamperproof screws attach lens to base plate.



Exploded View

### Dimensions



### ETL-US and ETL-C Listed For Wet Locations.

All polycarbonate components meet Intertek 746C tests for polymeric material and carry a flammability rating of 94HB or better on lenses and the superior 94-5V rating on housings.

Luminaire Type \_\_\_\_\_  
 Catalog Number \_\_\_\_\_  
 Job Name \_\_\_\_\_  
 Approval \_\_\_\_\_

## WF Harris Lighting

Innovative Lighting Designs Since 1970

P.O. Box 5023, Monroe, NC 28111-5023, USA  
 (704) 283-7477 (HQ) • (704) 283-6880 (FAX)  
 (800) 842-9345 (TOLL FREE)

e-mail: customerservice@wfharris.com  
 www.wfharrislighting.com

Form 1538 12/15

*"A Live Operator Company Standing Ready to Serve Your Lighting Needs"*

# HPS – MH – LPS

**Ordering Information** (Fill In Blanks For Complete Catalog Number)

**1200-WP**

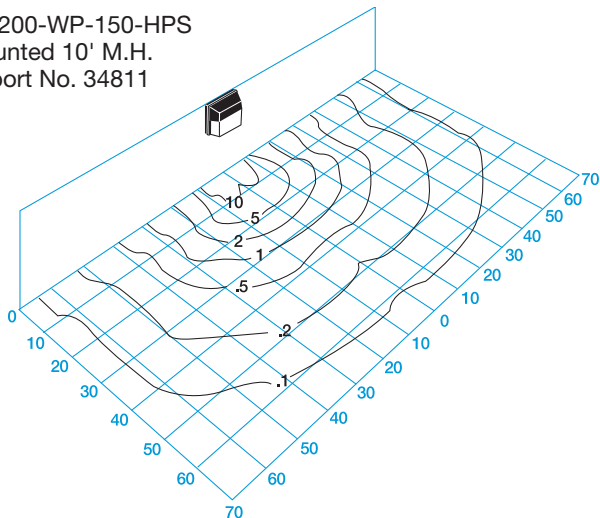
Model	Housing Color	Watts-Lamp	Power Factor / Volts	Options	Conduit Connection
Model	Housing Color	Watts/Lamp	Power Factor / Volts	Options	Conduit Connections Specify Location(s)
1200-WP	HB-Bronze HW-White	50HPS 70HPS 100HPS 150HPS 70MH 18LPS	NPF 120 <sup>2</sup> HPF 120 <sup>4</sup> HPF 120/277 <sup>3</sup> HPF 120/208/240/277 <sup>1</sup>	PC-Photo Control <sup>5</sup> LP-Lamp TPS-Tamperproof Screws QRS-Quartz Restrike System (120V) QRS-LP-Quartz Restrike System With 100 Q/DC Lamp (120V) QRSTS-Quartz Restrike System With Timed System (120V) QRSTS-LP-Quartz Restrike System With Timed System and 100 Q/DC Lamp (120V) FS-Fuse and Holder	CRS-Right Side CLS-Left Side CT-Top CB-Bottom C4-All <small>(Positions Based On Facing Luminaire)</small>

<sup>1</sup> Available with MH only.  
<sup>2</sup> Available with 50 HPS or 150 HPS.  
<sup>3</sup> Available with 18 LPS.  
<sup>4</sup> Available with 70 HPS or 100 HPS.  
<sup>5</sup> Specify Voltage - 120V or 277V Only.

**Accessories** (Order Separately)  
 TPT-Tamperproof Screwdriver 

## Light Distribution Pattern

**Model 1200-WP-150-HPS**  
 Wall Mounted 10' M.H.  
 Test Report No. 34811



## Conversion Tables

Lamp	Lamp Conversion Factor	Mounting Height	Height Conversion Factor
150 HPS	1.00	8'	1.56
100 HPS	.59	10'	1.00
70 HPS	.36	12'	.69
50 HPS	.25	14'	.50
70 MH	.35	15'	.44

### Using Conversion Table

TO ADJUST FOOTCANDLES (FC) SHOWN IN DIAGRAM AT LEFT, USE FOLLOWING FORMULA WITH LAMP CONVERSION FACTOR (LCF) AND HEIGHT CONVERSION FACTOR (HCF):

$$FC \times LCF = FC \text{ with alternate lamp}$$

$$FC \times HCF = FC \text{ at alternate height}$$

$$FC \times LCF \times HCF = FC \text{ with alternate lamp at alternate height}$$

**LENS, HOUSING, ALUMINUM BASE  
 PLATE CARRY A LIFETIME GUARANTEE.**

Specifications Subject to Change Without Notice

Luminaire is Warranted to be Free of Defects in Materials and Workmanship for One Year From Invoice Date.



**Innovative Lighting Designs Since 1970**

P.O. Box 5023, Monroe, NC 28111-5023, USA  
 (704) 283-7477 (OPERATOR ASSIST) • (704) 283-6880 (FAX)  
 (800) 842-9345 (TOLL FREE)

e-mail: customerservice@wfarris.com  
 www.wfharrislighting.com

Printed in USA

Form 1538

12/15

*“W. F. Harris Lighting Will Not Sacrifice Quality for the Sake of Price.”*