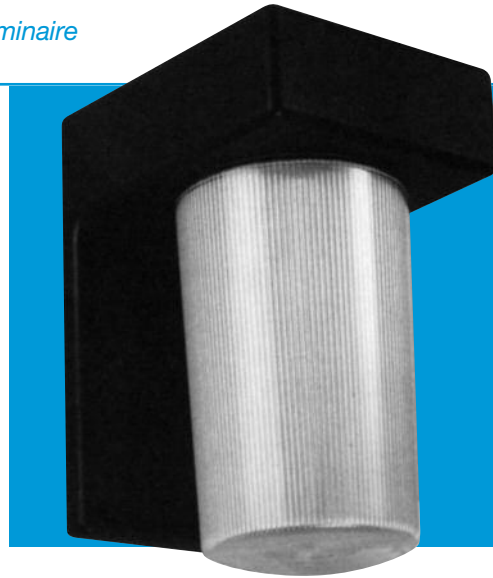


# INCANDESCENT



## 1000 Series *Rustproof Vandal-Resistant Wall Luminaire* 100 Watts Maximum

This wall bracket luminaire is as durable as it is attractive. Suitable for indoor/outdoor applications ranging from residential to commercial environments. **Rustproof.** Engineered with components and materials offering the **highest resistance to corrosion and impact.** The **polycarbonate** housing is nonconductive, insuring more safety to the end user. Ideally suited as security lighting for homes, schools, motels, hospitals, condominiums and industrial, commercial, and government buildings.



### Specifications

**Lens:** Injection molded of UV-stabilized **polycarbonate** with threaded neck for twist-lock attachment. Average thickness is  $\frac{1}{8}$ ". Smooth exterior surface for ease of cleaning.

**Bracket:** Injection molded in black, white, or bronze UV-stabilized, reinforced **polycarbonate.** Equipped with threaded cup for lens attachment.

**Housing: (optional)** Injection molded in black, white or bronze UV-stabilized, reinforced **polycarbonate.** Rear knockout for supply wire. Available with up to four threaded connections and plugs suitable for  $\frac{1}{2}$ " conduit.

**Socket:** Medium-base high temperature phenolic with copper screw shell, rated at 250V, 660W, with leads insulated for 200°C.

**Lamp:** Uses 100W maximum incandescent Type A-19 lamp. Provided by others.

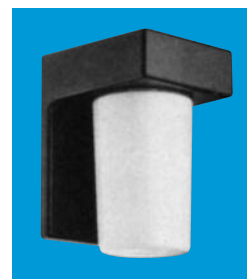
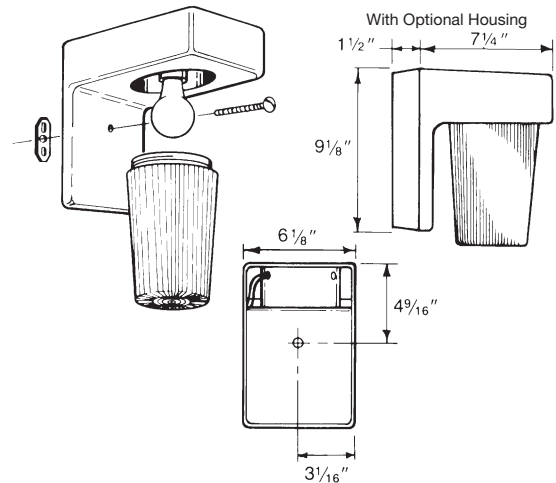
**Hardware:** Optional Lens-Lock screws are  $\frac{1}{4}$ -20 socket set screws. Mounting hardware included.

**Mounting:** Wall mounting only.

**ETL-US Listed For Wet Locations.**

All polycarbonate components meet Underwriters Laboratories 746C tests for polymeric material and carry a flammability rating of 94HB or better on lenses and the superior 94-5V rating on housings.

### Exploded View and Dimensions



Shown With  
Opal White Lens



Shown With Optional  
Housing

## WF Harris Lighting

Innovative Lighting Designs Since 1970

P.O. Box 5023, Monroe, NC 28111-5023, USA  
(704) 283-7477 (OPERATOR ASSIST) • (704) 283-6880 (FAX)  
(800) 842-9345 (TOLL FREE)

e-mail: [customerservice@wfharris.com](mailto:customerservice@wfharris.com)

[www.wfharrislighting.com](http://www.wfharrislighting.com)

Form 1526

9/15

Luminaire Type \_\_\_\_\_  
Catalog Number \_\_\_\_\_  
Job Name \_\_\_\_\_  
Approval \_\_\_\_\_

*"ALive Operator Company Standing Ready to Serve Your Lighting Needs"*

# INCANDESCENT

Ordering Information (Fill In Blanks For Complete Catalog Number)

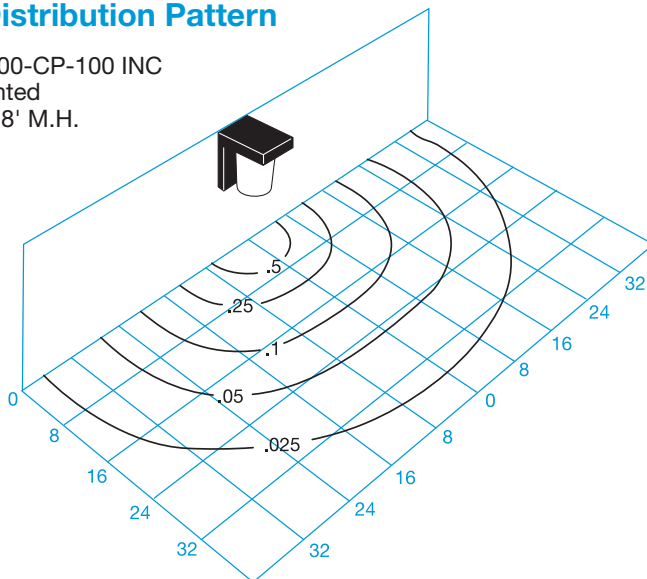
Model    Lens Color    Bracket and Housing Color    Lamp    Options    Conduit Connection

Model	Lens Color	Bracket and Housing Color	Lamp	Options	Conduit Connections
1000	CP-Clear Prismatic OW-Opal White R-Red G-Green BY-Buglight Yellow	HK-Black HW-White HB-Bronze	INC (100W Max.) <sup>1</sup>	PC-Photo Control <sup>2</sup> LL-Lens Lock 3H_ - 1-1/2" Deep Housing (Specify Color) K-Black W-White B-Bronze D3H_ - 3" Deep Housing (Specify Color) K-Black W-White B-Bronze GCO-Grounded Convenience Outlet <sup>2,3</sup> SW/B-On/Off Switch with Boot <sup>2,4</sup>	CRS-Right Side CLS-Left Side CT-Top CB-Bottom C4-All Four Sides <small>(Positions Based on Facing Luminaire)</small>

<sup>1</sup> Provided By Others  
<sup>2</sup> Housing Required  
<sup>3</sup> Dry Locations Only  
<sup>4</sup> Interior Use Only

## Light Distribution Pattern

Model 1000-CP-100 INC  
Wall Mounted  
Based on 8' M.H.



## Conversion Tables

Lamp	Lamp Conversion Factor	Mounting Height	Height Conversion Factor
100 INC	1.00	6'	1.77
75 INC	.72	8'	1.00
60 INC	.46	10'	.64

## Using Conversion Tables

TO ADJUST FOOTCANDLES (FC) SHOWN IN DIAGRAM AT LEFT, USE ONE OF THE FOLLOWING FORMULAS WITH LAMP CONVERSION FACTOR (LCF) AND HEIGHT CONVERSION FACTOR (HCF):

$$FC \times LCF = FC \text{ with alternate lamp}$$

$$FC \times HCF = FC \text{ at alternate height}$$

$$FC \times LCF \times HCF = FC \text{ with alternate lamp at alternate height}$$



Specifications Subject to Change Without Notice

Luminaire is Warranted to be Free of Defects in Materials and Workmanship for One Year From Invoice Date.

**LENS AND HOUSING CARRY A LIFETIME WARRANTY.**



Innovative Lighting Designs Since 1970

P.O. Box 5023, Monroe, NC 28111-5023, USA  
(704) 283-7477 (OPERATOR ASSIST) • (704) 283-6880 (FAX)  
(800) 842-9345 (TOLL FREE)

e-mail: customerservice@wfharris.com  
www.wfharrislighting.com

Printed in USA

Form 1526

9/15

*"W. F. Harris Lighting Will Not Sacrifice Quality for the Sake of Price."*