

INCANDESCENT

300-HZ & HZ-S Series

Rust and Vandal Resistant Wall Luminaire
60 Watts Maximum



An integral reflector allows this version of the Model 300 to be wall mounted horizontally producing a downward, wide-light distribution pattern. Engineered with materials offering the highest resistance to rust, corrosion and impact. The polycarbonate housing is non-conductive, insuring more safety to the end user. Ideally suited to illuminate building walls and perimeters, landscaping, corridors, traffic areas, and entryways.

Specifications

Lens: Injection molded of UV-stabilized polycarbonate. Average thickness $\frac{1}{8}$ ". Smooth exterior surface for ease of cleaning. Model 300-HZ-S lens is painted with high temperature, weather-resistant polyurethane paint.

Base Plate: Rust resistant .080" 5052 H-32 tempered marine-grade aluminum.

Housing: (optional) Injection molded in black, white, or bronze UV-stabilized, reinforced polycarbonate. Rear knockout, $\frac{3}{4}$ ", for supply wire. Available with up to four $\frac{1}{2}$ " threaded conduit connections and plugs.

Reflector: Formed of anodized aluminum in a hammertone texture projecting 77.7% reflectivity.

Thermal Insulation: One-pound density fiberglass pad controls temperature rise in junction box and surface area.

Gasket: Closed-cell neoprene rubber in $\frac{1}{8}$ " thickness creates a tight seal against moisture and contaminants.

Socket: Medium-base ceramic with nickel-plated copper screw shell, rated 250V, 660W, with leads insulated for 105°C.

Lamp: Uses 60W max. Type A-19 incandescent lamp. Provided by others.

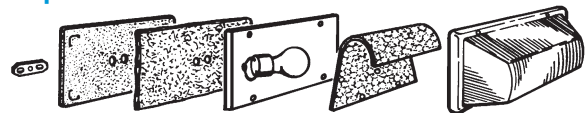
Hardware: Four stainless steel 8-32 phillips truss head screws or tamperproof screws attach lens to base plate. Mounting crossbar, threaded nipple, and nut are provided.

Mounting : Must be mounted horizontally on the wall.

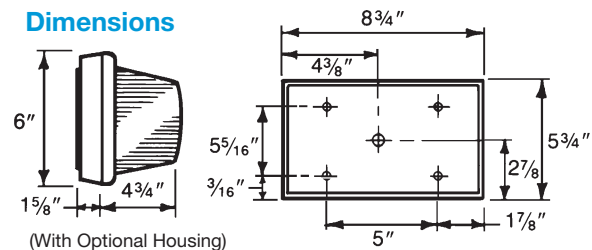


300-HZ-INC

Exploded View



Dimensions



Model 300-HZ-INC Shown with Clear Prismatic Lens



Model 300-HZ-S-BZ-INC

UL Listed For Wet Locations:

All polycarbonate components meet Underwriters Laboratories 746C tests for polymeric material and carry a flammability rating of 94HB or better on lenses and the superior 94-5V rating on housings.

WF Harris Lighting, Inc.™

Innovative Lighting Designs Since 1970

(704) 283-7477 • (800) 842-9345

Email: customerservice@wfharris.com

www.wfharrislighting.com

"Quality Products Made in the USA Since 1970"

INCANDESCENT

Ordering Information

Model	Lens Color	Lens Paint Color (if applicable)	Watts/ Lamp	Options	Conduit Connections (Specify Location(s) (Housing Required))
300-HZ 300-HZ-S	CP-Clear Prismatic OW-Opal White	BK-Black Trim on Lens ² WH-White Trim on Lens ² BZ-Bronze Trim on Lens ²	INC (60W MAX) ¹	PC - Photo Control ³ TPS - Tamperproof Screws 3H___ - 1-1/2" Deep Housing – specify K (Black), W (White) or B (Bronze) ² D3H___ - 3" Deep Housing – specify K (Black), W (White) or B (Bronze) ² HDPB___ - Aluminum Horizontal Decor Pack – specify K (Black), W (White) or B (Bronze) ² GCO-Grounded Convenience Outlet ^{3,4} SW-On/Off Switch (3H Required) ³	CRS-Right Side CLS-Left Side CT-Top CB-Bottom C4-All Four Sides (Positions Based on Facing Luminaire)

¹ Provided By Others

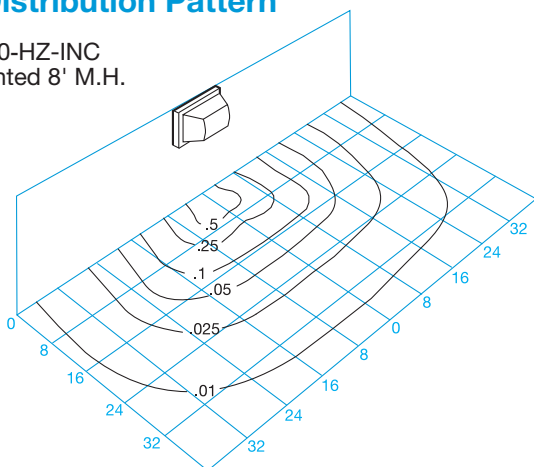
² Trim on Lens and Housing Color are same color

³ Housing Required

⁴ Interior Use Only

Light Distribution Pattern

Model 300-HZ-INC
Wall Mounted 8' M.H.



Conversion Table

Mounting Height	Mounting Conversion Factor
6'	1.77
8'	1.00
10'	.64
12'	.45
14'	.32

Using Conversion Table

TO ADJUST FOOTCANDLES (FC) IN DIAGRAM AT LEFT, USE FOLLOWING FORMULA HEIGHT CONVERSION FACTOR (HCF):

$$FC \times HCF = FC \text{ at alternate height}$$

POLYCARBONATE LENS AND HOUSING CARRY A LIMITED LIFETIME WARRANTY.

Specifications Subject to Change Without Notice.

Luminaire is Warranted to be Free of Defects in Materials and Workmanship for One Year From Invoice Date.



TAA COMPLIANT
TRADE AGREEMENT ACT COMPLIANT

W.F. Harris Lighting, Inc.™

Innovative Lighting Designs Since 1970

4015 Airport Extension Road
Monroe, NC 28110 USA

(704) 283-7477 • (800) 842-9345

Email: customerservice@wfharris.com

www.wfharrislighting.com

Form 1523-11BJ

Printed in USA

Copyright 2020 W.F. Harris Lighting, Inc.

"Innovative Products Designed For Years of Outstanding Service and Dependability"