

# INCANDESCENT



## 80 Series

*Rust Resistant Vandal-Resistant Wall/Ceiling Luminaire*  
100 Watts Maximum

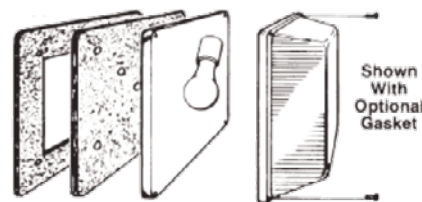
Designed for indoor/outdoor use where efficiency and style are as important as endurance to abuse by environmental elements or vandalism. Engineered with materials offering the **highest resistance to rust, corrosion, and impact**. The optional housing for surface mounted conduit is totally nonconductive, assuring more safety to the end user. Smooth exterior lens allows ease of cleaning, clear prismatic interior for optimal lumen output, rounded corners for increased impact strength. Ideally suited for schools, motels, apartments, parking areas, commercial and industrial establishments, and government installations.

### Specifications

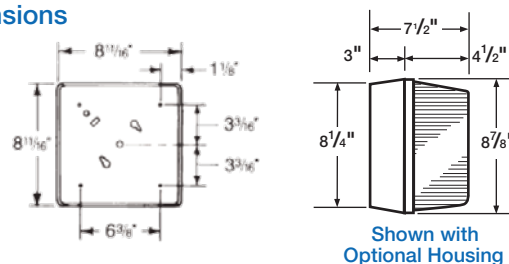
<b>Lens:</b>	Injection molded of UV-stabilized polycarbonate. Average thickness is 1/8". Smooth exterior surface for ease of cleaning, rounded corners for increased impact strength.
<b>Base Plate:</b>	Rust resistant .063" 5052 H-32 tempered marine-grade aluminum.
<b>Thermal Insulation:</b>	One-pound-density fiberglass pad controls temperature rise in junction box and surface area.
<b>Gasket:</b>	Closed-cell neoprene rubber in 1/8" thickness creates a tight seal against moisture and contaminants.
<b>Socket:</b>	Medium-base, ceramic with copper screw shell and leads insulated for 105°C.
<b>Lamp:</b>	Uses 100W maximum type A-19 incandescent lamp. Provided by others.
<b>Hardware:</b>	Four stainless-steel 8-32 phillips truss head screws or tamperproof screws (TORX® type) attach lens to base plate. Mounting hardware included.



### Exploded View



### Dimensions



Shown With Clear Prismatic Lens



**SBA QUALIFIED  
SMALL BUSINESS MANUFACTURER**

**TAA COMPLIANT**  
TRADE AGREEMENT ACT COMPLIANT

ETL-US Listed For Wet Locations.

All polycarbonate components meet Underwriters Laboratories 746C tests for polymeric material and carry a flammability rating of 94HB or better on lenses and the superior 94-5V rating on housings.

Luminaire Type \_\_\_\_\_  
Catalog Number \_\_\_\_\_  
Job Name \_\_\_\_\_  
Approval \_\_\_\_\_

**WF Harris Lighting, Inc.™**

**Innovative Lighting Designs Since 1970**

P.O. Box 5023, Monroe, NC 28111-5023, USA  
704.283.7477 (HEADQUARTERS) • 800.842.9345 (TOLL FREE)  
e-mail: customerservice@wfarris.com  
www.wfharrislighting.com

Form 1508 5/19

*"A Live Operator Company Standing Ready to Serve Your Lighting Needs"*

# INCANDESCENT

Ordering Information (Fill In Blanks For Complete Catalog Number)

80 — — INC — —  
 Model — Lens — Lamp — Options — Conduit Connection(s)

Model	Lens Color	Lamp	Options	Conduit Connections (80HW or 80HB Required)
80	CP-Clear Prismatic OW-Opal White	INC (100W Max.) <sup>1</sup>	TPS-Tamperproof Screws GRAPHICS-Numbers, Letters, Symbols, Logos 80HW-White Housing <sup>3</sup> 3" Deep 80HB-Bronze Housing <sup>3</sup> 3" Deep FS-Fuse and Holder PS-BZ-Clear Prismatic Lens with Bronze Painted Sides PC-Photo Control <sup>2</sup> SR-Photo Control Shield-Round SRH-Photo Control Shield-1/2 Round	CRS-Right Side CLS-Left Side CT-Top CB-Bottom C4-All Four Sides (Positions Based on Facing Luminaire)

<sup>1</sup>Provided By Others

<sup>2</sup>Requires 80HB or 80HW Housing

<sup>3</sup>Specify Connection(s)

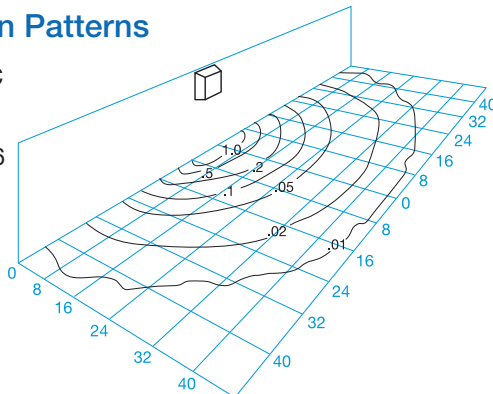
## Accessories (Order Separately)

TPT-Tamperproof Screwdriver

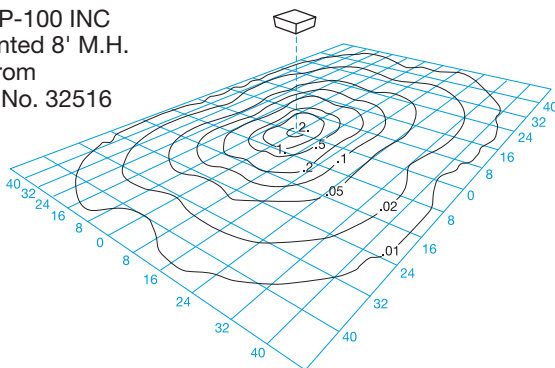


## Light Distribution Patterns

Model 80-CP-100 INC  
 Wall Mounted 8' M.H.  
 Produced From  
 Test Report No. 32516



Model 80-CP-100 INC  
 Ceiling Mounted 8' M.H.  
 Produced From  
 Test Report No. 32516



Lamp	Lamp Conversion Factor	Mounting Height	Height Conversion Factor
100 INC	1.00	6'	1.77
75 INC	.72	7'	1.30
60 INC	.46	8'	1.00
		9'	.79
		10'	.64

### Using Conversion Table

TO ADJUST FC, USE FOLLOWING FORMULA WITH LAMP CONVERSION FACTOR (LCF) AND HEIGHT CONVERSION FACTOR (HCF):

$$FC \times LCF = FC \text{ with alternate lamp}$$

$$FC \times HCF = FC \text{ at alternate height}$$

$$FC \times LCF \times HCF = FC \text{ with alternate lamp at alternate height}$$

Specifications Subject to Change Without Notice

Fixture is Warranted to be Free of Defects in Materials and Workmanship for One Year From Invoice Date.

LENS AND HOUSING CARRY A LIFETIME WARRANTY.



SBA QUALIFIED  
 SMALL BUSINESS MANUFACTURER

TAA COMPLIANT  
 TRADE AGREEMENT ACT COMPLIANT

**W.F. Harris Lighting, Inc.™**

Innovative Lighting Designs Since 1970

P.O. Box 5023, Monroe, NC 28111-5023, USA

704.283.7477 (HEADQUARTERS) • 800.842.9345 (TOLL FREE)

e-mail: customerservice@wfharris.com

www.wfharrislighting.com