

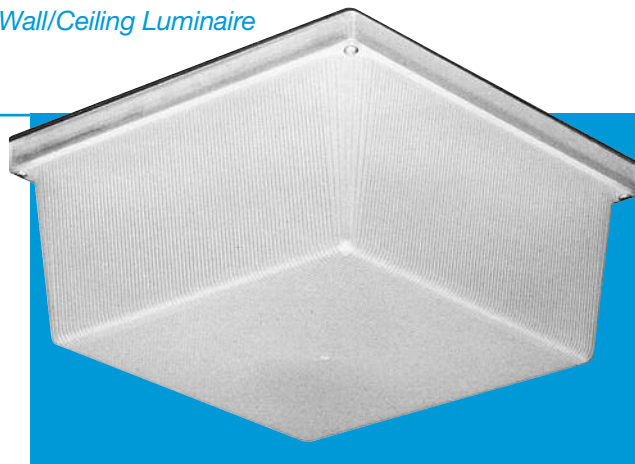
# INCANDESCENT



## 1200 Series 12" Square

*Rustproof Vandal-Resistant Wall/Ceiling Luminaire  
Two 75 Watts Maximum*

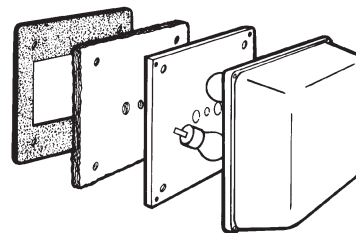
Designed for indoor/outdoor use where efficiency and style are as important as endurance to abuse by environmental elements or vandalism. Engineered with materials offering the **highest resistance to rust, corrosion, and impact**. The housing is totally nonconductive, insuring more safety to the end user. Smooth exterior lens allows ease of cleaning, clear prismatic interior assures optimal lumen output, rounded corners for increased impact strength and safety. Ideally suited for schools, motels, apartments, parking areas; and commercial, industrial, and government establishments.



### Specifications

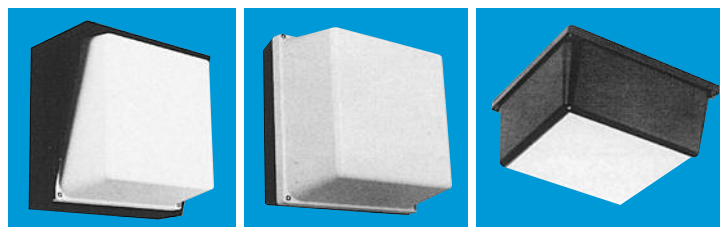
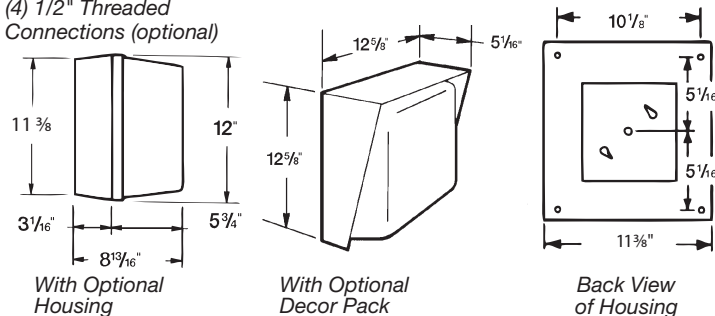
<b>Lens:</b>	Clear Prismatic (CP) or Opal White (OW) injection molded UV-stabilized polycarbonate. Average thickness $\frac{1}{8}$ ". Smooth exterior surface for ease of cleaning, rounded corners for increased impact strength and safety. Prismatic interior in CP for optimal lumen output. Bronze Painted Sides (PS) option provides symmetrical light distribution and eliminates objectionable glare.
<b>Base Plate:</b>	Rustproof .080" 5052 H-32 tempered marine-grade aluminum.
<b>Housing: (Optional)</b>	Injection molded of UV-stabilized reinforced white or bronze polycarbonate. Includes $\frac{3}{4}$ " rear knockout for supply wire. Available with up to four $\frac{1}{2}$ " threaded connections and plugs.
<b>Gasket:</b>	Lens gasket and mounting gasket are closed-cell neoprene rubber.
<b>Socket:</b>	Two provided. Medium base, ceramic, with leads suitable for 125°C.
<b>Lamp:</b>	Uses two type A-19 incandescent lamps, 75 watts maximum each. (Provided by others.)
<b>Hardware:</b>	Four stainless-steel 8-32 phillips truss head screws or tamperproof screws (TORX® type) attach lens to base plate.

### Exploded View



### Dimensions

(4)  $\frac{1}{2}$ " Threaded Connections (optional)



Shown With Optional Bronze Decor Pack

Shown With Optional Housing

Shown With Optional Bronze Painted Sides



### ETL-US Listed For Wet Locations.

All polycarbonate components meet Underwriters Laboratories 746C tests for polymeric material and carry a flammability rating of 94HB or better on lenses and the superior 94-5V rating on housings.

Luminaire Type \_\_\_\_\_  
 Catalog Number \_\_\_\_\_  
 Job Name \_\_\_\_\_  
 Approval \_\_\_\_\_

## WF Harris Lighting

Innovative Lighting Designs Since 1970

P.O. Box 5023, Monroe, NC 28111-5023, USA  
(704) 283-7477 (OPERATOR ASSIST) • (704) 283-6880 (FAX)  
(800) 842-9345 (TOLL FREE)

e-mail: [customerservice@wfharris.com](mailto:customerservice@wfharris.com)  
[www.wfharrislighting.com](http://www.wfharrislighting.com)

Printed in USA

Form 1506

9/15

*"A Live Operator Company Standing Ready to Serve Your Lighting Needs"*

# INCANDESCENT

Ordering Information (Fill In Blanks For Complete Catalog Number)

1200      INC  
 Model      Lens      Watts/Lamp      Options      Conduit Connections

Model	Lens Color	Watts/Lamp	Options	Conduit Connections (Housing Required) Specify Location(s)
1200	CP-Clear Prismatic OW-Opal White A-Amber	INC <sup>1</sup> (Two 75W max.)	PC-Photo Control <sup>2</sup> DPB-Bronze Aluminum Decor Pack 12H____-Housing (Specify Color) W-White or B-Bronze GCO-Grounded Convenience Outlet <sup>2,3</sup> SW/B-On/Off Switch with Boot <sup>2,3</sup> TPS-Tamperproof Screws Graphics-Numbers, Letters, Symbols, Logos PS-BZ - Painted Sides (Bronze only)	CRS-Right Side CLS-Left Side CT-Top CB-Bottom C4-All  (Positions Based on Facing Fixture)

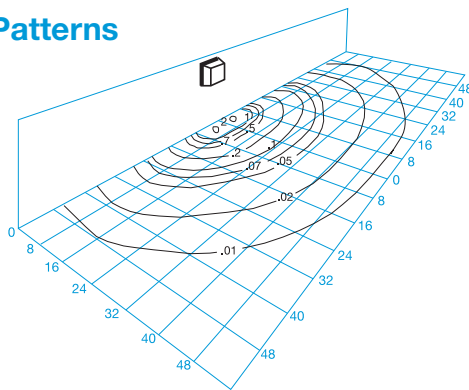
Accessories (Order Separately)  
 TPT-Tamperproof Screwdriver



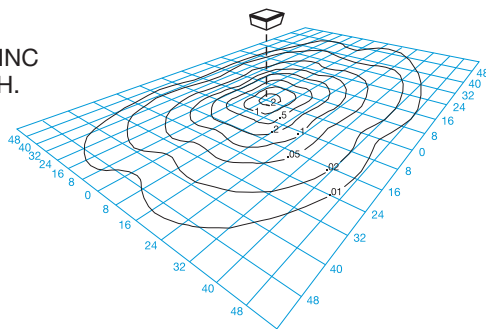
<sup>1</sup> Provided by others  
<sup>2</sup> Housing Required  
<sup>3</sup> Dry Location Only

## Light Distribution Patterns

Model 1200-CP-2-75 INC  
 Wall Mounted 8' M.H.  
 Test Report No. 32729A



Model 1200-CP-2-75 INC  
 Ceiling Mounted 8' M.H.  
 Test Report No. 32521



## Conversion Table

Mounting Height	Height Conversion Factor
8'	1.00
10'	.64
12'	.45
14'	.32

### Using Conversion Table

TO ADJUST FOOTCANDLES (FC) SHOWN IN DIAGRAMS AT LEFT, USE THE FOLLOWING FORMULA WITH HEIGHT CONVERSION FACTOR (HCF):

$$FC \times HCF = FC \text{ at alternate height}$$

Specifications Subject to Change Without Notice

Luminaire is Warranted to be Free of Defects in Materials and Workmanship for One Year From Invoice Date.

**LENS, HOUSING, AND ALUMINUM BASE PLATE CARRY A LIFETIME WARRANTY.**



**TAA COMPLIANT**  
 TRADE AGREEMENT ACT COMPLIANT

# WF Harris Lighting

Innovative Lighting Designs Since 1970

P.O. Box 5023, Monroe, NC 28111-5023, USA

(704) 283-7477 (OPERATOR ASSIST) • (704) 283-6880 (FAX)

(800) 842-9345 (TOLL FREE)

e-mail: customerservice@wfharris.com

www.wfharrislighting.com

*"W. F. Harris Lighting Will Not Sacrifice Quality for the Sake of Price."*